

SPQF200: 200mm (8") 100V 5W Ceiling Speaker White **SPQF200-B: 200mm (8") 100V 5W Ceiling Speaker Black**

Main Features



- * Excellent speech intelligibility.
- * Engineered to meet Australian Standard AS1670.4
- * High quality speaker driver developed for BGM, paging and emergency warning applications.
- * Patented 6 way latching ensures a neat, sag free installation.
- * Fitted with 4 way wire protect terminal block for loop in, loop out wiring as required by Australian Standards.
- * Fitted with cable restraint plate and transformer safety cover as required by Australian Standards.
- * Fitted with supervisory capacitor for line monitoring.
- * High impact styrene grille.
- * 5 year warranty.

Main Applications

SPQF200 and SPQF200-B are EWIS compatible speakers designed for fast installation. They are ideal for BGM, paging & emergency warning applications. The offset transformer mounting allows mounting in ceilings with limited recess space.

Emergency Warning & Intercommunications Systems (EWIS)

This speaker and transformer combination is designed for both paging announcements and emergency tones in EWIS systems. Speakers employed in an EWIS installation must comply to AS1670.4. This dictates that the speakers must be fitted with transformer safety cover, line monitoring capacitor and 4 way wire protect terminal connection. These EWIS speakers comply to this standard.

About Speaker Drivers

Each custom designed speaker and transformer combination has been specifically engineered to ensure a wide frequency range and dispersion angle, plus a high sound pressure level (SPL) ensuring excellent music and speech intelligibility; which is critical for emergency paging applications.

Each transformer is fitted with multiple power settings which are user selectable via taps on the transformer. For reference, the transformer safety cover is imprinted with power selection information.

Manufacturing & Performance

Drivers are engineered and manufactured to stringent specifications ensuring maximum reliability under all operating conditions. Each driver has a power rating well above the max tapping of the transformer, ensuring reliable operation and excellent longevity. A strict quality control procedure is employed during every step of the manufacturing process. Finally, every finished speaker is 100% QC checked prior to shipping.

The Labour Saving One-Shot® Mounting System

"One-Shot®" speaker units install in seconds providing substantial labour cost savings for the professional installer compared to traditional mounting methods.

They simply snap fit to the ceiling by means of the integral pressure clips. The snap clip material is formulated to retain long service life strength and spring action, ensuring a firm vibration free fit to either gyprock tiles, mineral fibre tiles or fixed gyprock ceilings.

The neutral white RAL colour of C 2134C provides an architecturally unobtrusive finish to virtually any installation. C 2135 is fitted with a black grille for use on ceilings with a dark colour.

Installation Guidelines

Both models are fitted with a 4 way wire protect screw terminal block. This is suitable for loop in, loop out cabling. The cable can be secured to the in-built restraint plate with 100mm cable ties.

All One-Shot® speakers are designed for fast installation due to the integral pressure clips which grip to the reverse side of the ceiling tile. They suit any 10-13mm ceiling tile, including gyprock, mineral fibre or fixed gyprock ceilings. Redback provide an optional tile support or 'ceiling pan' to minimise sag and vibration.

These pans fit inside the 't-bar' supports for the tile ceiling and provide a solid surface on which the One-Shot® clips secure to. Once the hole is cut, these simply slide up into the hole, the speaker is then pushed in until the clips release. For 200mm (8") models we recommend a speaker hole of 246mm. This is easily cut using the T 2314 holesaw.

Architectural Specifications

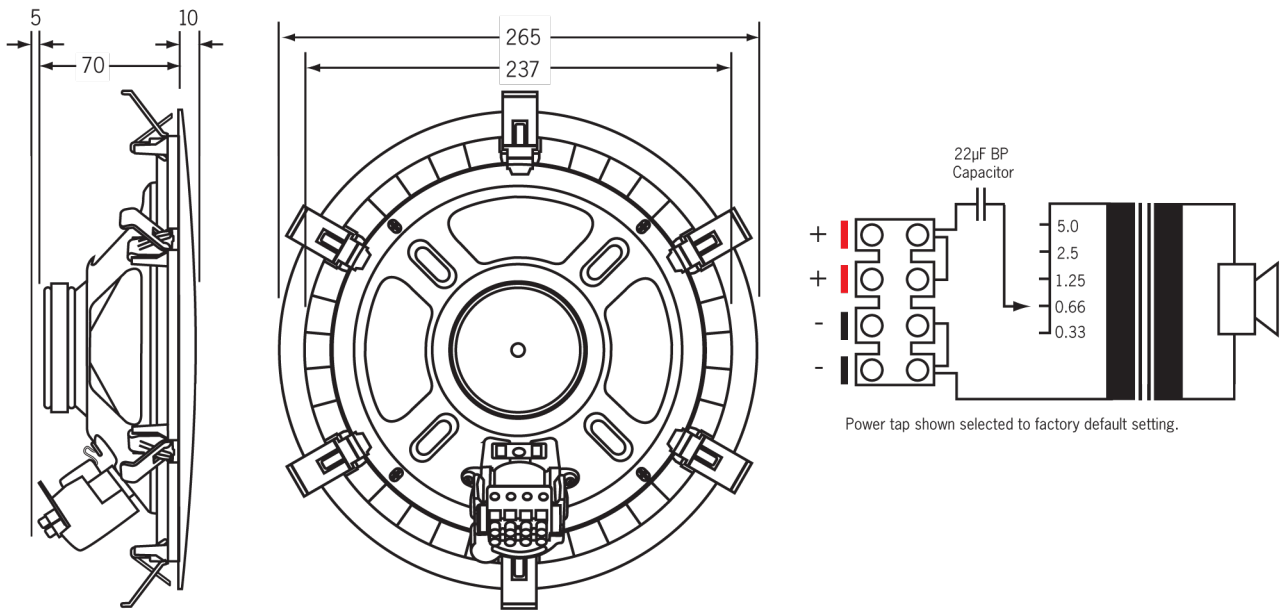
SPQF200

The speaker shall be of 200mm diameter and be low profile fitted with a 100V transformer with power taps of 5W, 2.5W, 1.25W, 0.66W and 0.33W. It shall have a SPL of 93.6dB (1W@1m). The transformer shall have a safety cover and cable restraint mechanism (conforming to the relevant Australian standard). It shall be fitted with a 4 way wire protect terminal block for connection and 22uf bipolar capacitor for line monitoring. The speaker shall be attached to a white ABS grill with One-Shot mounting mechanism. The speaker/grille combination shall be a SPQF200.

SPQF-200B

The speaker shall be of 200mm diameter and be low profile fitted with a 100V transformer with power taps of 5W, 2.5W, 1.25W, 0.66W and 0.33W. It shall have a SPL of 93.6dB (1W@1m). The transformer shall have a safety cover and cable restraint mechanism (conforming to the relevant Australian standard). It shall be fitted with a 4 way wire protect terminal block for connection and 22uf bipolar capacitor for line monitoring. The speaker shall be attached to a black ABS grill with One-Shot mounting mechanism. The speaker/grille combination shall be a SPQF200-B.

Dimensions & Transformer Detail



Specifications

Electrical

Power taps:	0.33, 0.66, 1.25, 2.5, 5W
SPL 1W @ 1m:	93.6dB @ 1kHz (+/- 2dB)
Frequency response:	75Hz-15kHz
Connection:	4 way terminal block + 22µF bipolar capacitor

Mechanical

Grille material:	High impact styrene
Driver construction:	Paper twin cone
Ceiling cutout:	246mmØ
Grille diameter:	265mmØ
Mounting depth:	75mm (including ceiling tile thickness)
Overall weight:	960g
C 2132 Colour:	White
C 2133 Colour:	Black

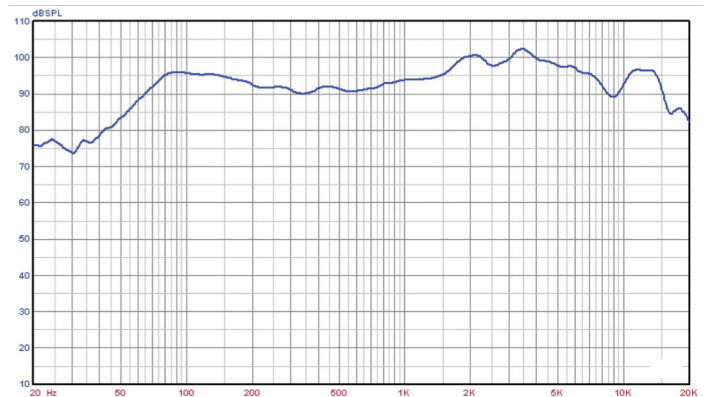
Environmental

Operating temperature:	-25°C to +55°C
Relative humidity:	< 95%

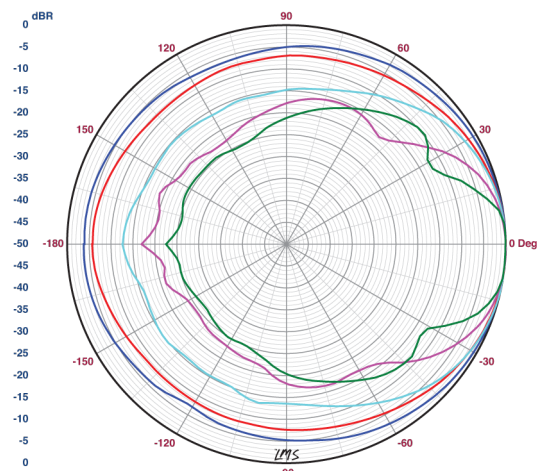
Additional Installation Accessories

- C 2129** Steel ceiling tile support pan
- T 2314** Adjustable 40-270mm holesaw

Frequency Response (SPL 1W @ 1m)



Polar Plot (Ratio vs Angle)



	500Hz	1kHz	2kHz	4kHz	6kHz
SPL 1W @ 1m (dB)	91.1	93.6	100.3	99.7	91.9
Beam Width (BW)	207	127	91	55	35
Q-Factor	1.7	2.8	4.0	6.6	9.9
Directivity Index (DI)	2.4	4.5	6.0	8.2	10.0